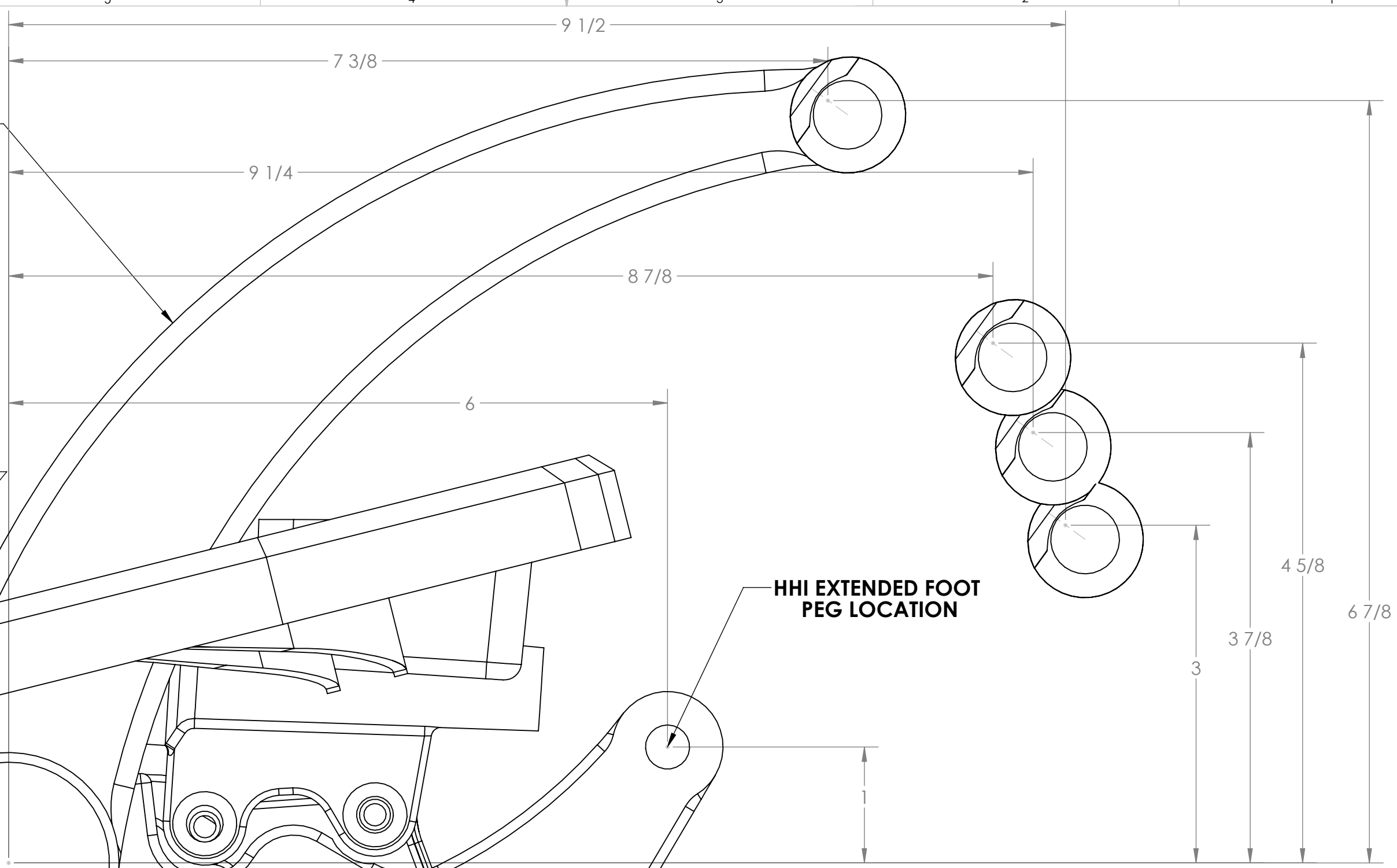


ADJUSTABLE BRAKE PEDAL ARM

STOCK FOOT BOARD LOCATION

HHI EXTENDED FOOT PEG LOCATION



**PROPRIETARY AND CONFIDENTIAL**  
 THE INFORMATION CONTAINED IN THIS DRAWING IS THE SOLE PROPERTY OF HAWG HALTERS, INC. ANY REPRODUCTION IN PART OR AS A WHOLE WITHOUT THE WRITTEN PERMISSION OF HAWG HALTERS, INC. IS PROHIBITED.

|             |         |  |             |      |            |  |
|-------------|---------|--|-------------|------|------------|--|
|             |         | TOLERANCES UNLESS NOTED:<br>X.X : +/- .03<br>X.XX : +/- .01<br>X.XXX : +/- .005<br>FRAC : +/- 1/16<br>ANGULAR : +/- 1° | DRAWN       | NAME | DATE       | PART NO.                               |
|             |         | MATERIAL   | CHECKED     | NBG  | 12/11/2014 | FCB-F14XE-C                            |
|             |         | FINISH --  | ENG APPR.   |      |            | PART: EXTENDED FORWARD CONTROL COMPARE |
| NEXT ASSY   | USED ON |  | MFG APPR.   |      |            | ASSEMBLY: 14-UP FLH                    |
| APPLICATION |         | DO NOT SCALE DRAWING   | Q.A.        |      |            | SIZE DWG. NO. 92-1601                  |
|             |         |  | STOCK SIZE: |      |            | REV.                                   |

**HHI** Hawg Halters, Inc.  
 389 Lumpkin County Parkway  
 Dahlonega, GA 30533